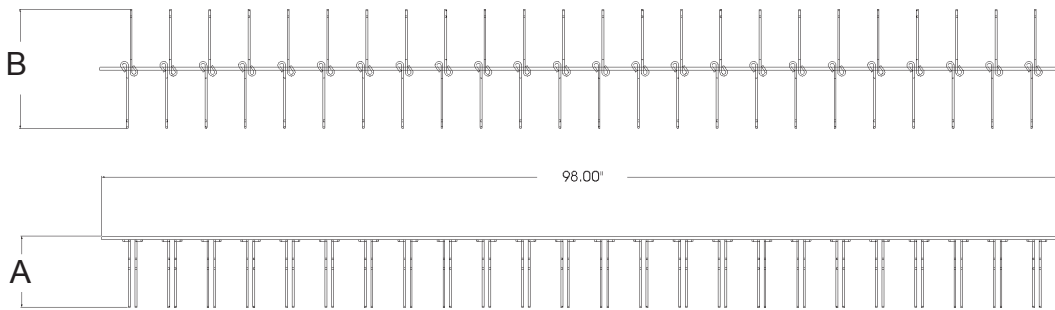
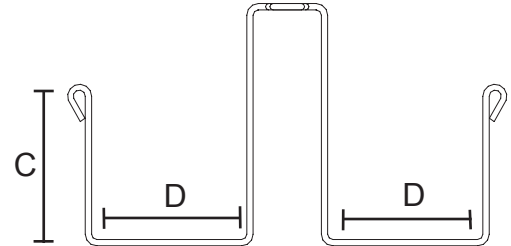
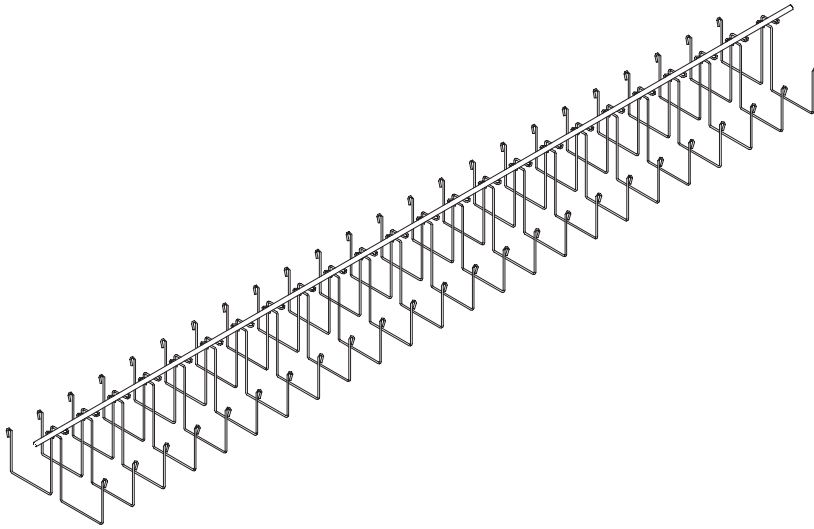


CM 201 SNAKE TRAY[®] DOUBLE POCKET



Part Number	Physical Dimensions		Loading Dimensions		Cable Capacity		Wt	Finish
	Height (A)	Width (B)	Depth (C)	Width (D)	Physical Volume			
CM 201-425D-8	7.25"	11.50"	4.25"	4.25"	36si	370	8.5#	PG/SS/PC/HD
CM 201-5D-8	8.75"	13.75"	5"	5"	50si	510	11.0#	PG/SS/PC/HD
50% FILL AS PER NEC ARTICLE 392.9B .25 OD								

The Double Snake with its double pocket design provides a natural separation for both voice data cables and fiber. Accommodating up to 50 square inches of cable path, Double Snake can manage over 500 data cables both below raised floors or overhead either mounted to walls or suspended from the ceiling. Snake Eyes (mounting rings) are located along the center spine, allowing easy attachment of threaded rod for suspended applications.



Snake Tray[®] and Snake Canyon[®] products are covered by one or more of the following patents: #6,637,704, #6,637,165, #6,463,704, #6,460,812, #6,449,912, #6,361,000, #6,347,493, #6,019,323, #5,953,870, #5,839,702 and AUS #737,813. Other US and Foreign Patents Pending.

800-308-6788 • info@snaketray.com • www.snaketray.com