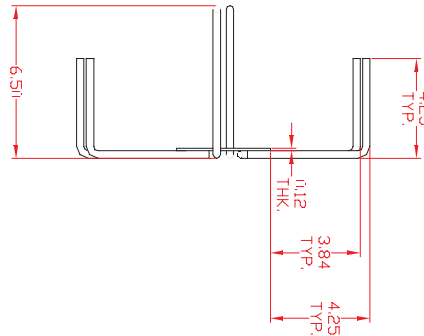
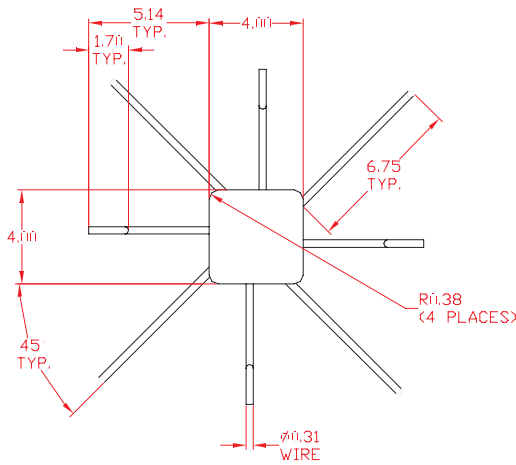
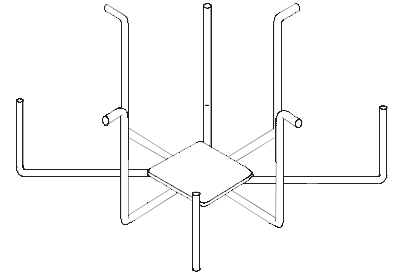


CM 425D INTERSECTION



Part No.	Physical Dimensions		Loading Dimensions		Cable Capacity	
	Height	Width	Depth (A)	Width (B)	Physical Volume	
CM425D	12	12	4 1/4	8 1/2	36si	370

50% FILL AS PER NEC ARTICLE 392.9B
.25 OD

Installed as either a Tee or four way crossing intersectin component for the Double Snake 201 series tray.



Snake Tray[®] and Snake Canyon[®] products are covered by one or more of the following patents: #6,637,704, #6,637,165, #6,463,704, #6,460,812, #6,449,912, #6,361,000, #6,347,493, #6,019,323, #5,953,870, #5,839,702 and AUS #737,813. Other US and Foreign Patents Pending.

800-308-6788 • info@snaketray.com • www.snaketray.com